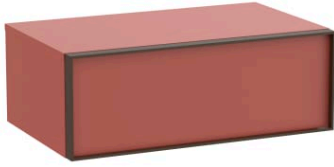


INSPIRA

Auxiliary unit with one drawer



DIMENSIONS

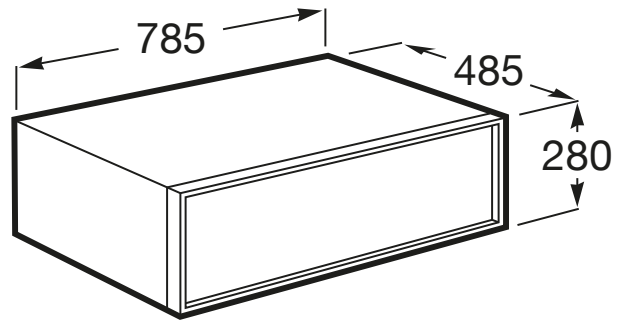
Length	785 mm
Width	485 mm
Height	280 mm

COLOURS AND FINISHES



552 Terracota

TECHNICAL DRAWINGS



FEATURES

Closing and opening system: Soft and self close drawers

Doors and drawers combination: 1 Drawer

Installation type: Wall-hung

Inspira

Inspira is a striking collection that blends innovative design with bold shapes and a timeless style. It features thin aluminum frames, Fineceramic® washbasins, and contemporary colours. The collection offers flexible options, including floating one-drawer units or traditional two-drawer units, with increased storage and functionality.



INSTALLATION AND USER MANUALS



[User handbook](#)